

THIS DRAWING IS UNPUBLISHED. RELEASED FOR PUBLICATION JUNE ,2006.

© COPYRIGHT 2006 BY TYCO ELECTRONICS CORPORATION. ALL RIGHTS RESERVED.

LOC	DIST	REVISIONS					
E	B	P	LTR	DESCRIPTION	DATE	DWN	APVD
			B	ECR-05-013423	13DEC05	JMS	FWK

NOTES:

- ① PACK IN ACCORDANCE WITH AMP SPEC 107-3275
- ② 100 TRAY PACK IN ACCORDANCE WITH AMP SPEC 107-3275
- ③ Au PLATING
- ④ Ni PLATING
- ⑤ Sn PLATING

6 ELECTRICAL CHARACTERISTICS

FREQUENCY RANGE: DC - 2 GHz  
 NOMINAL IMPEDANCE: 75 Ohm  
 INSULATION RESISTANCE: 5000 MOhm  
 WORKING VOLTAGE: 500 Volts RMS at Sea Level  
 DIELECTRIC WITHSTAND VOLTAGE: 1500 Volts RMS Max  
 CONTACT RESISTANCE: 1.50 mOhm Max  
 CENTRE CONTACT: 0.20 mOhm Max  
 OUTER CONTACT: N/A  
 VSWR @ xGHz: N/A  
 INSERTION LOSS xdb: N/A

7 MECHANICAL CHARACTERISTICS

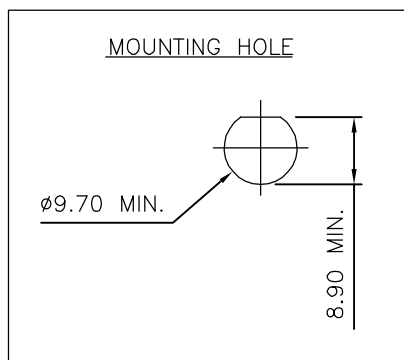
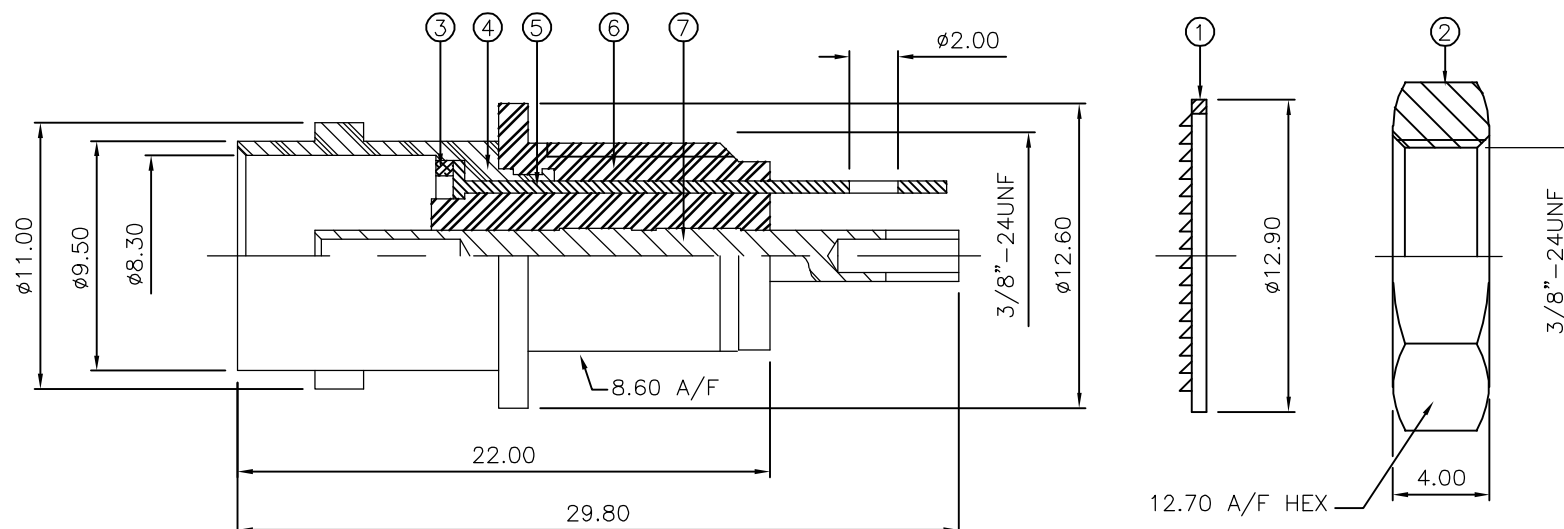
COUPLING RETENTION FORCE: N/A  
 CABLE RETENTION FORCE: N/A  
 MOUNT NUT RECOMMENDED TORQUE: 2N  
 DURABILITY: 500 Cycles Min

8 ENVIRONMENTAL CHARACTERISTICS

OPERATING TEMPERATURE: -65 to +85 DegC

9 FOR TECHNICAL DATA REFER TO YOUR LOCAL TYCO ELECTRONICS SALES OFFICE

10 ALL DIMENSIONS ARE NOMINAL FOR REFERENCE ONLY UNLESS OTHERWISE STATED



		1	1	BRASS	③	CONTACT	7
		1	1	ABS		BODY A	6
		1	1	BRASS	⑤	WASHER	5
		1	1	BRASS	④	BODY B	4
		1	1	BRASS	④	WASHER	3
		1	1	BRASS	④	HEX NUT	2
		1	1	STEEL	④	LOCKWASHER	1
		6--0	1--0	MATERIAL		DESCRIPTION	ITEM
		③	④				
QUANTITY PER ASSY				PARTS LIST			

THIS DRAWING IS A CONTROLLED DOCUMENT.		DWN	J.SANDWELL	14JUN06	Tyco Electronics Corporation Bideford EX39 4HE				
DIMENSIONS: mm		CHK	S.PARLOW	14JUN06					
TOLERANCES UNLESS OTHERWISE SPECIFIED:		APVD	F.WHEELER-KING	14JUN06	NAME				
0 PLC ± - 1 PLC ± - 2 PLC ± - 3 PLC ± - 4 PLC ± - ANGLES ± -		PRODUCT SPEC		BNC INSULATED BULKHEAD SOCKET FRONT MOUNT 75 OHM					
MATERIAL SEE TABLE		FINISH -		APPLICATION SPEC -		SIZE	CAGE CODE	DRAWING NO	RESTRICTED TO
				WEIGHT -		A3	00779	C-1478048	-
CUSTOMER DRAWING				SCALE	NTS	SHEET	1 OF 1	REV	B